

### APPLICATIONS

Suitable for illumination of oil refining and chemical facility platforms, corridors and other hazardous locations.



## BPC8766 EXPLOSION-PROTECTED LED PENDANT LIGHT FITTING



- Explosion group: IIC
- Degree of protection: IP 65
- Optical distributions: round type
- Anti-glare transparent cover
- Suitable for pole mounting and ceiling mounting

Zone  
1

Zone  
2

140  
lm / W

  
Anti-glare

IP  
65

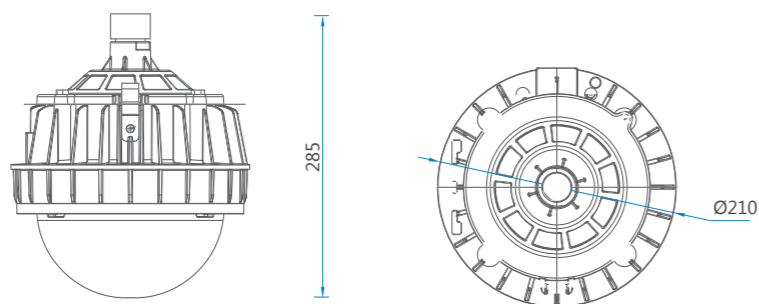
  
Pole  
mount

  
Ceiling  
mount



### DIMENSION DRAWINGS

\*all dimensions in mm

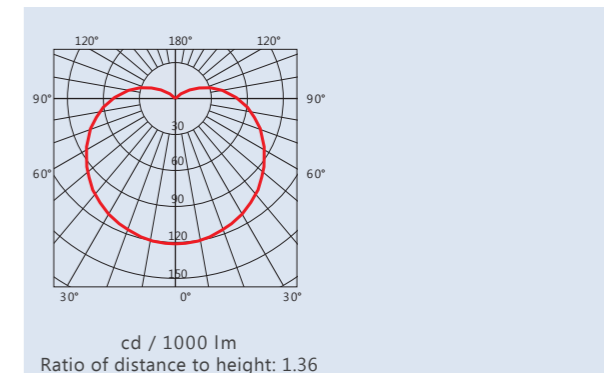


### TECHNICAL DATA

<b>Certification</b>	
International approvals	ATEX, IECEX, CB, CCC, CNEX
Coding	Ex d e mb IIC T5/T6 Gb, Ex tD A21 IP65 T95°C/T80°C
<b>Conformity to standards</b>	IEC 60079 / IEC 60598
<b>Material</b>	
Body material	Aluminum alloy with epoxy powder coating
Diffuser	Polycarbonate
<b>Light source</b>	
Wattage	30 W, 50 W
Type	LED
Luminous efficiency	140 lm / W
Life	≥ 50000 h
<b>Rated voltage</b>	220 V - 240 V AC 50 Hz / 60 Hz
<b>Class of insulation</b>	Class I
<b>Degree of protection</b>	IP 65
<b>Operating temperature</b>	-20 °C to +55 °C
<b>Cable entry</b>	G3/4
<b>Corrosion-proof class</b>	WF2

### PHOTOMETRIC DATA

BPC8766 30 W, 50 W  
LED photometric data  
Luminous intensity distribution cd / 1000 lm



We can provide lighting design and data by professional lighting software based upon simulated site situation on request.

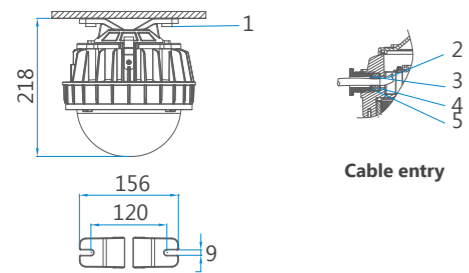
### SELECTION TABLE

Model	Lamp power (W)	Lamp type	Operating current (A)	Color temperature (K)	Weight (kg)
BPC8766/30/LED	30	LED	0.9	5500 - 6500 (cool white)	3.7
BPC8766/50/LED	50	LED	0.9	5500 - 6500 (cool white)	3.7

### MOUNTING TYPE

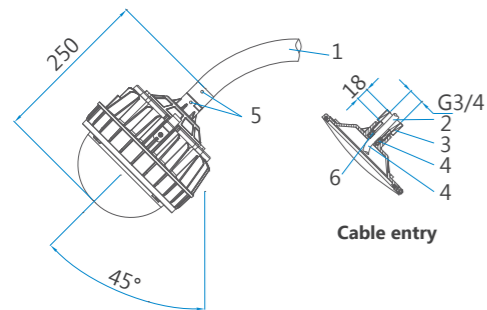
\*all dimensions in mm

#### Ceiling mount



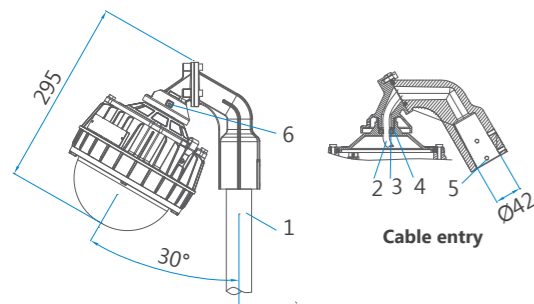
Accessories				
No.	Name	Spec.	Qty.	Remark
1	Expansion bolt (with nut, flat washer and spring washer)	M8 × 50	2	Provided by user
2	Three-core cable	Ø8 - Ø14	Determined by user	Provided by manufacturer
3	Gland nut	G3/4	1	
4	Sealing ring 1	Ø9 - Ø10	1	Accessories should be ordered separately.
5	Washer	14	1	
6	0.5 m three-core cable assembly	0.5 m	1	
7	3 m three-core cable assembly	3 m	1	
8	Sealing ring 2	Ø11 - Ø12	1	
9	Sealing ring 3	Ø13 - Ø14	1	

#### Pole mount (type A)



Accessories				
No.	Name	Spec.	Qty.	Remark
1	Pipe	G3/4	1	Provided by user
2	Three-core cable	Ø8 - Ø14	Determined by user	Provided by manufacturer
3	Adapter	G3/4	1	
4	Sealing ring 1	Ø9 - Ø10	1	Accessories should be ordered separately.
5	Set screw	M4 × 6	1	
6	Washer	14	1	
7	0.5 m three-core cable assembly	0.5 m	1	
8	3 m three-core cable assembly	3 m	1	
9	Sealing ring 2	Ø11 - Ø12	1	
10	Sealing ring 3	Ø13 - Ø14	1	

#### Pole mount (type B)



Accessories				
No.	Name	Spec.	Qty.	Remark
1	Pipe	Ø40	1	Provided by user
2	Three-core cable	Ø8 - Ø14	Determined by user	Provided by manufacturer
3	Sealing ring 1	Ø9 - Ø10	1	
4	Washer	14	1	Accessories should be ordered separately.
5	Hex socket screw	M6 × 35	4	
6	Set screw	M4 × 6	1	
7	Adapter assembly	Ø40	1	
8	3 m three-core cable assembly	3 m	1	
9	Sealing ring 2	Ø11 - Ø12	1	
10	Sealing ring 3	Ø13 - Ø14	1	

### SPARE PARTS

Name	Picture	Ordering code	Weight (kg)
Light source - 30 W		1311010381	0.01
		1311010383	0.01
Light source - 50 W		1311010380	0.01
		1311010382	0.01
LED driver - 30 W		1311010389	0.40
LED driver - 50 W		1311010388	0.42