

NGC9810(A) HIGH BAY LIGHT FITTING



NGC9810

NGC9810A

- High corrosion resistance
- Excellent light distribution
- Easy for installation and maintenance
- Two types of light distribution
- Suitable for ring bolt mount and pendant mount

TECHNICAL DATA

Certification

International approvals CE, SASO

Conformity to standards IEC60598

Material

Enclosure Die-casting aluminum

Transparent cover Tempered glass

Lamp

Brand OSRAM, PHILIPS

Wattage 250W, 400W

Type Metal halide lamp, high-pressure sodium lamp

Rated voltage 220V/230V/240V AC 50Hz, 220V AC 60Hz

Class of insulation Class I

Degree of protection IP65

Ambient temperature -20 °C to +55 °C

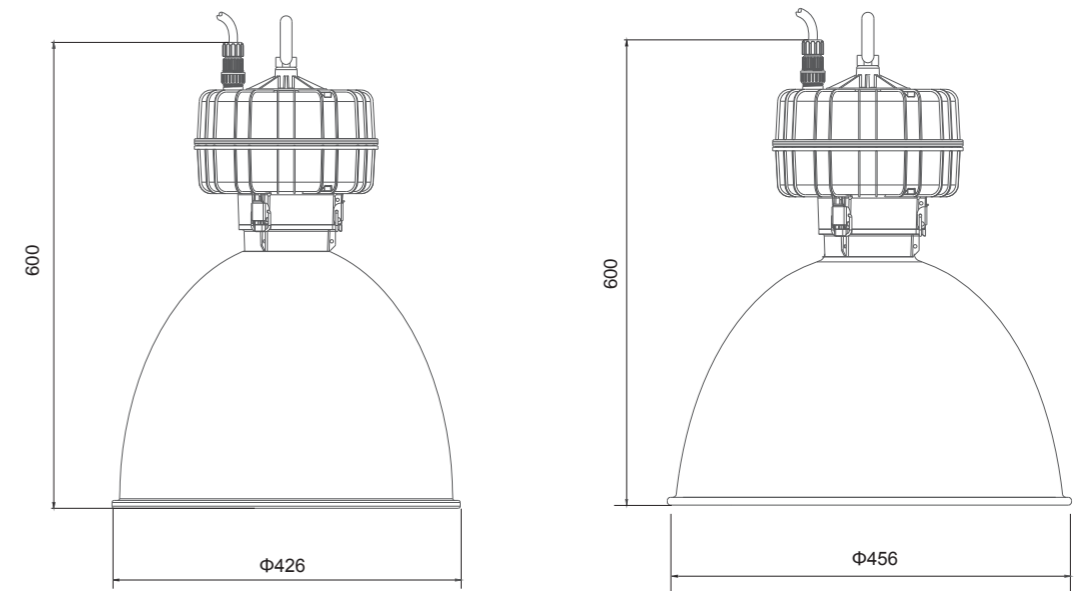
Cable entry G3/4

SELECTION TABLE

Model	Lamp power (W)	Lamp type (W)	Operating current (A)	Color temperature (K)	Weight (kg)
NGC9810/250/MH	250	MH	3.0	5200	8.1
NGC9810/400/MH	400	MH	4.0	5200	9.5
NGC9810/250/HPS	250	HPS	3.0	2000	8.1
NGC9810/400/HPS	400	HPS	4.4	2000	9.5
NGC9810A/250/MH	250	MH	3.0	5200	8.1
NGC9810A/400/MH	400	MH	4.0	5200	9.5
NGC9810A/250/HPS	250	HPS	3.0	2000	8.1
NGC9810A/400/HPS	400	HPS	4.4	2000	9.5

DIMENSION DRAWINGS

*all dimensions in mm



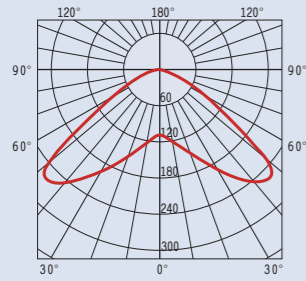
NGC9810

NGC9810A

PHOTOMETRIC DATA

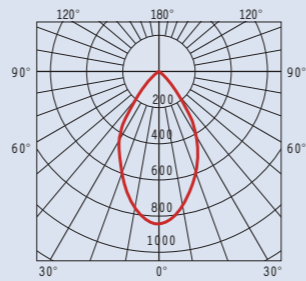
NGC9810 MH/HPS 250W/400W photometric data
 Rated luminous flux: 20000lm/35000lm, 28000lm/48000lm
 The data from OSRAM and PHILIPS lamps
 Luminous intensity distribution cd/1000lm

NGC9810A MH/HPS 250W/400W photometric data
 Rated luminous flux: 20000lm/35000lm, 28000lm/48000lm
 The data from OSRAM and PHILIPS lamps
 Luminous intensity distribution cd/1000lm



NGC9810

cd/1000lm Ratio of distance to height: 2.9

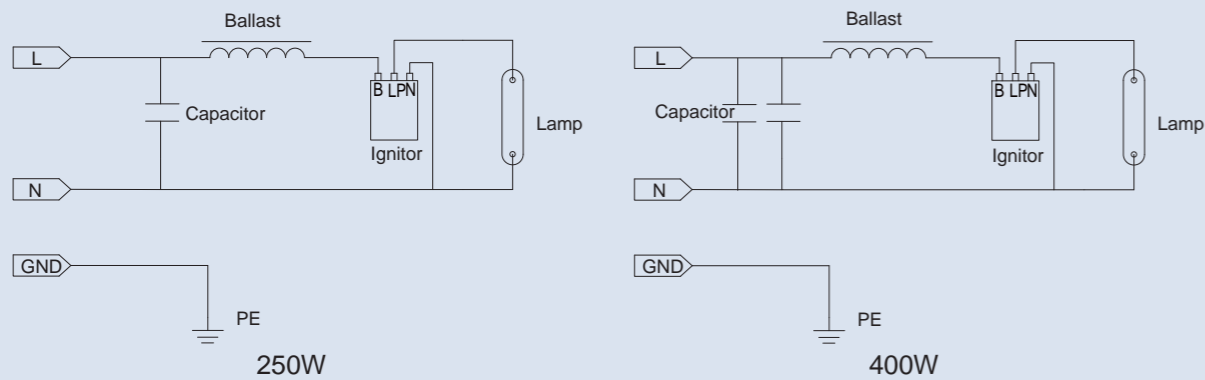


NGC9810A

cd/1000lm Ratio of distance to height: 1.4

We can provide lighting design and data by professional lighting software based upon simulated site situation on request.

WIRING DIAGRAM



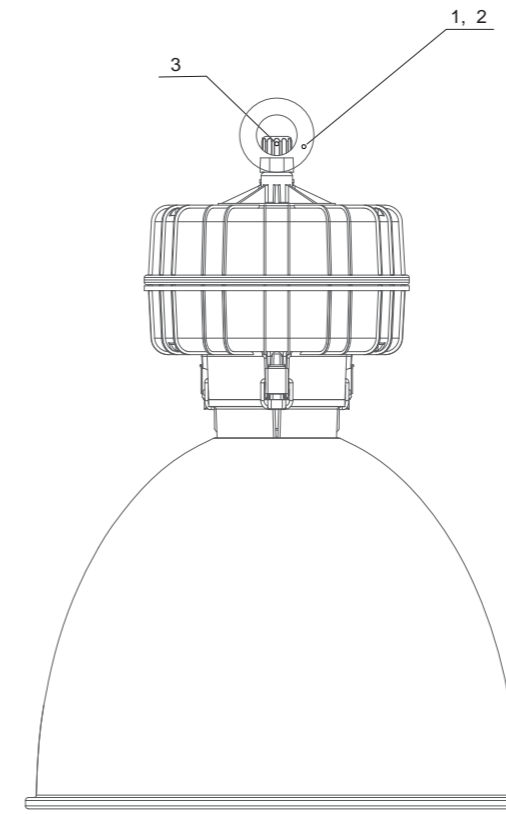
Wiring method

- Disconnect power supply. Undo three screws on the light fitting and open upper enclosure.
- Select appropriate cable (three conductors, 2.5 mm² cross-sectional area, Φ10~12mm diameter) according to size of cable entry. Strip the cable with 40mm length. Remove gland nut cover and rubber filling, pull the cable through the cover, rubber filling and gland nut, and fasten the cover to gland nut tightly.
- Connect the wires to correct terminals on wiring holder.
- Re-install the upper enclosure, and fasten screws tightly.
- Connect power supply.

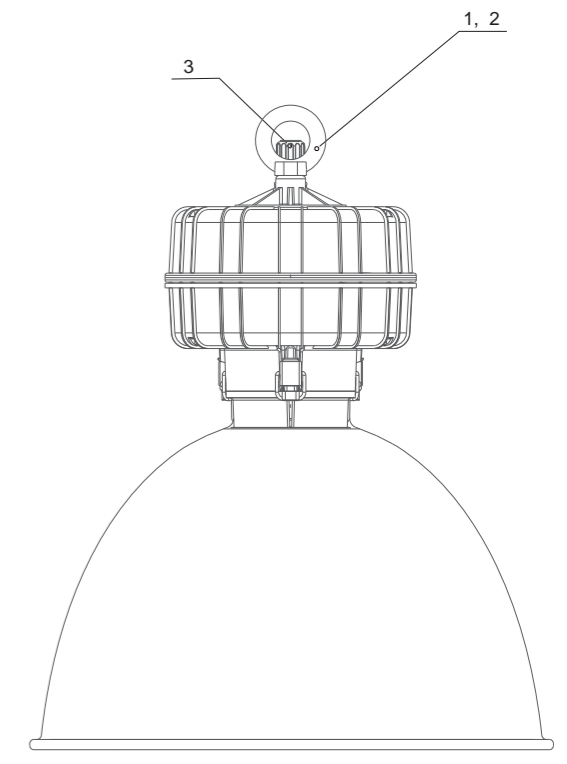
MOUNTING TYPE

*all dimensions in mm

Ring mount



NGC9810






NGC9810A

Accessories				
No.	Name	Spec.	Qty.	Remark
1	Ring Bolt	Ø34, M12	1	Provided by manufacturer
2	External serrated lock washer	12	1	
3	Three-conductor cable	Ø10~Ø12	1m	

Accessories				
No.	Name	Spec.	Qty.	Remark
1	Ring Bolt	Ø34, M12	1	Provided by manufacturer
2	External serrated lock washer	12	1	
3	Three-conductor cable	Ø10~Ø12	1m	

Note: Accessories not in the table shall be supplied by user.

ACCESSORIES

Name	Picture	Ordering code	Weight (KG)
Ignitor		1307010018	0.163
NGC9810 Reflector assembly		1610040031	1.82
NGC9810A Reflector assembly		1603030430	1.82
Capacitor-250W		1206010236	0.114
Capacitor-400W		1206010210	0.098
Ballast-220V 50Hz 250W		1306010138	2.73
Ballast-220V 50Hz 400W		1306010140	4.25
Ballast-220V 60Hz 250W		1306010125	2.53
Ballast-220V 60Hz 400W		1306010127	3.56
MH lamp-250W		1501010024	0.144
MH lamp-400W		1501010023	0.214
HPS lamp-250W		1502010004	0.164
HPS lamp-400W		1502010003	0.185

SAMPLE PROJECTS

