

BFC8120 EXPLOSION-PROTECTED BULKHEAD LIGHT FITTING



- Split structure, excellent heat dissipation
- Stainless steel fasteners
- Captive cover screws
- Suitable for wall, ceiling, pendant or pole mounting



TECHNICAL DATA

Certification

International approvals	ATEX, SASO
Certificate	Light: LCIE 11 ATEX 3075X, ballast box: LCIE 09 ATEX 3077
Coding	Light: $\text{Ex II 2 G Ex d IIB T4 Gb}$, ballast box: $\text{Ex II 2 G Ex d IIC T6 Gb}$

Conformity to standards IEC 60079 / IEC 60598

Material

Enclosure	Aluminum alloy with epoxy powder coating
Transparent cover	Borosilicate glass

Lamp

Brand	OSRAM, PHILIPS
Wattage	70W, 100W, 150W
Type	Metal halide lamp, high-pressure sodium lamp

Rated voltage 220V/230V/240V AC 50Hz, 220 V AC 60Hz

Class of insulation Class I

Degree of protection IP65 (light), IP66 (ballast box)

Ambient temperature -20 °C to +55 °C (light), -40 °C to +55 °C (ballast box)

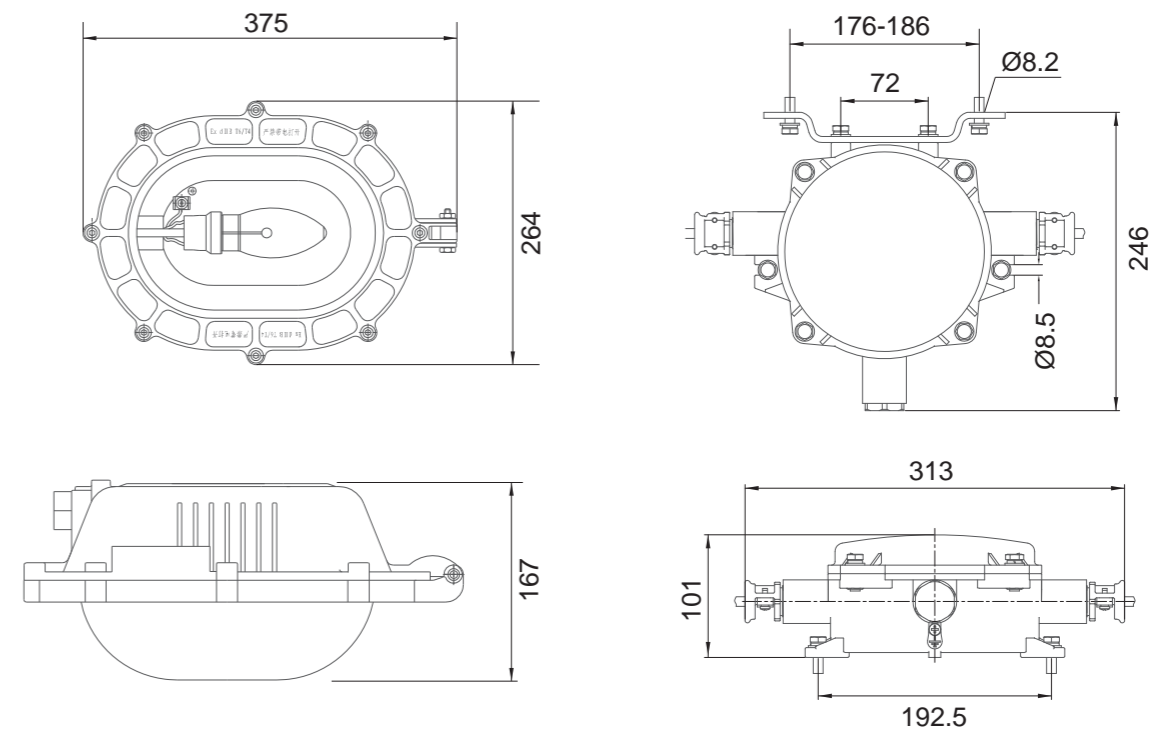
Cable entry G3/4

SELECTION TABLE

Model	Lamp power (W)	Lamp type (W)	Operating current (A)	Color temperature (K)	Weight (kg)
BFC8120/70/MH	70	MH	0.98	4000	5.2
BFC8120/100/MH	100	MH	1.1	4000	5.2
BFC8120/150/MH	150	MH	1.8	4000	5.2
BFC8120/70/HPS	70	HPS	1.0	2000	5.2
BAB1011/70	70	MH/HPS	/	/	3.7
BAB1011/100	100	MH/HPS	/	/	4.2
BAB1011/150	150	MH/HPS	/	/	4.2

DIMENSION DRAWINGS

*all dimensions in mm



Light

Ballast box

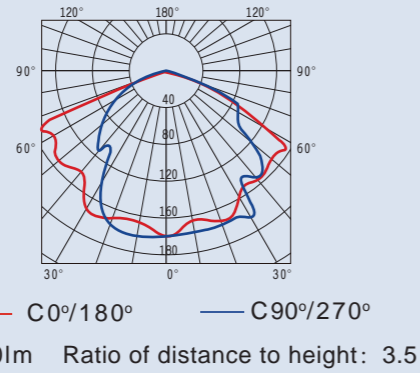
PHOTOMETRIC DATA

BFC8120 MH 70W/150W, HPS 70W photometric data

Rated luminous flux: 5500lm/13000lm, 6000lm

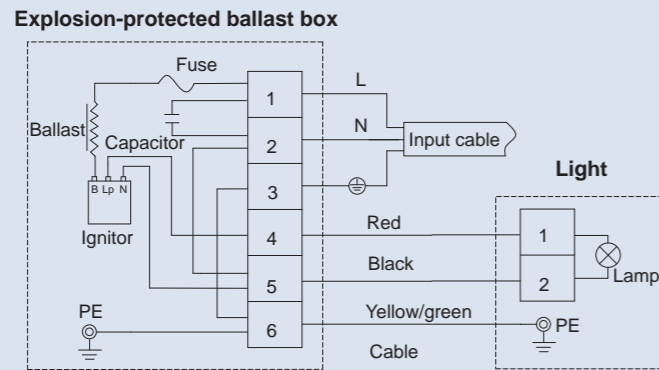
The data from OSRAM and PHILIPS lamps

Luminous intensity distribution cd/1000lm



We can provide lighting design and data by professional lighting software based upon simulated site situation on request.

WIRING DIAGRAM



1. Instructions

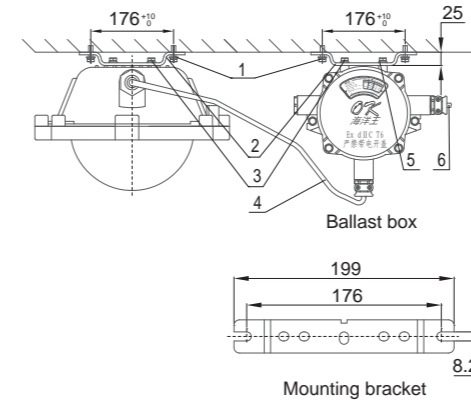
Pull three-conductor (L, N, PE) cable through gland nut into wiring chamber, and connect the wires to End L, End N and End PE.

2. Wiring method

- Undo 4 bolts on the cover of ballast box using an M8 hex socket wrench, and remove the cover.
- Select an appropriate rubber filling (see figure on the filling) according to diameter of cable. Pull the cable through the accessories (gland nut, washer, rubber filling) in order.
- Strip cable jacket with appropriate length and connect the wires to correct terminals on wiring holder in the ballast box.
- Push the rubber filling and washer into cable entry and fasten the wires with gland nut. The gland nut must be fastened by a wrench.
- Re-install the cover of ballast box. Note: Bolts on the cover must be fastened tightly.
- The light fitting must be earthed by an earthing conductor (with 1.5mm² or more of cross-sectional area). Earthing position is indicated.

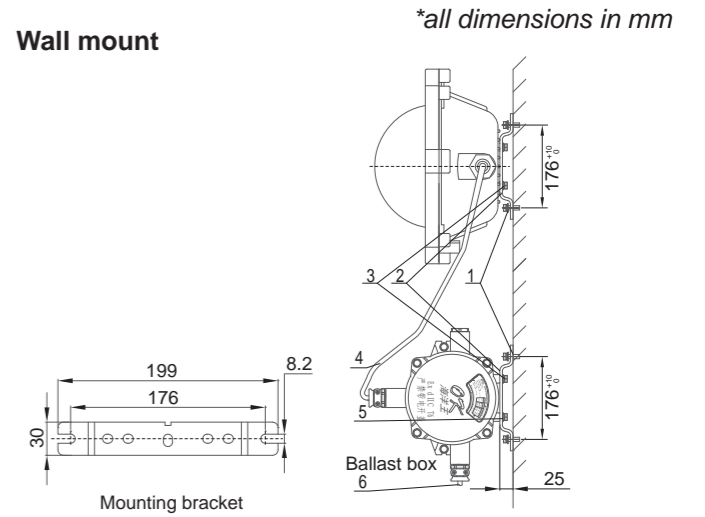
MOUNTING TYPE

Ceiling mount



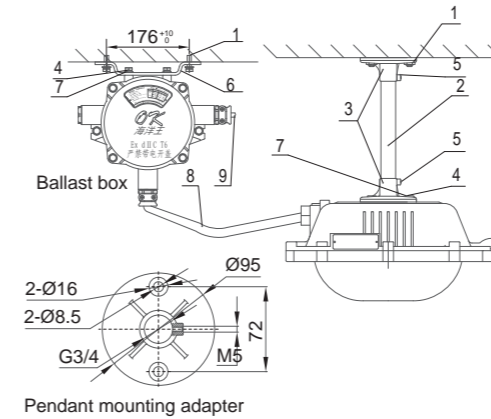
Accessories				
No.	Name	Spec.	Qty.	Remark
1	Expansion bolt (with nut, flat washer, spring washer)	M8 X 80	4	Provided by user
2	Mounting bracket		2	Provided by manufacturer
3	Screw (with spring washer)	M8 X 14	4	
4	Three-conductor cable	Ø8-Ø9 2m	4	
5	Spring washer	8	4	Provided by user
6	Three-conductor cable	Ø8-Ø12	Determined by user	

Wall mount



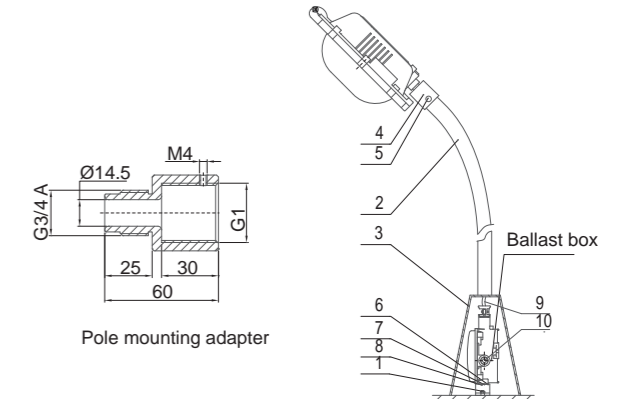
Accessories				
No.	Name	Spec.	Qty.	Remark
1	Expansion bolt (with nut, flat washer, spring washer)	M8 X 80	4	Provided by user
2	Mounting bracket		2	Provided by manufacturer
3	Screw (with spring washer)	M8 X 14	4	
4	Three-conductor cable	Ø8-Ø9 2m	4	
5	Spring washer	8	4	Provided by user
6	Three-conductor cable	Ø8-Ø12	Determined by user	

Pendant mount



Accessories				
No.	Name	Spec.	Qty.	Remark
1	Expansion bolt (with nut, flat washer, spring washer)	M8 X 80	4	Provided by user
2	Steel pipe (with thread G3/4 at the both ends)	G3/4	1	Provided by manufacturer
3	Pendant mounting adapter		2	
4	Screw (with spring washer)	M8 X 14	4	
5	Hex socket set screw	M5 X 6	2	Provided by manufacturer
6	Mounting bracket		1	
7	Spring washer	8	4	Provided by user
8	Three-conductor cable	Ø8-Ø9 2m	4	
9	Three-conductor cable	Ø8-Ø12	Determined by user	











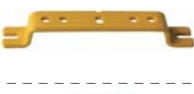



Pole mount





Accessories				
No.	Name	Spec.	Qty.	Remark
1	Expansion bolt (with nut, flat washer, spring washer)	M8 X 80	2	Provided by user
2	Pole (with thread G1 at the one end)	G1	1	
3	Pole base		1	
4	Pole mounting adapter		1	Provided by manufacturer
5	Hex socket set screw	M4 X 10	2	
6	Mounting bracket		1	
7	Screw (with spring washer)	M8 X 14	2	
8	Spring washer	8	2	Provided by user
9	Three-conductor cable	Ø8-Ø9 2m	4	
10	Three-conductor cable	Ø8-Ø12	Determined by user	

Note: Accessories not in the table shall be supplied by user.

ACCESSORIES

Name	Picture	Ordering code	Weight (KG)
Cover assembly		3002401163	2.52
Ignitor		1307010018	0.163
Ballast-70W		1306010132	1.22
Ballast-100W		1306010198	1.56
Ballast-150W		1306010134	1.77
Capacitor-70W		1206010210	0.098
Capacitor-100W		1206010275	0.100
Capacitor-150W		1206010262	0.096
Pole mounting adapter		1601010150	0.062
Pendant mounting adapter		1601050143	0.406
Mounting bracket		1601040144	0.225
Wire guard		3002401170	0.425
HPS lamp-70W		1501010011	0.079
MH lamp-70W		1501010012	0.075

ACCESSORIES

Name	Picture	Ordering code	Weight (KG)
MH lamp-100W		1501010022	0.074
MH lamp-150W		1501010013	0.075

SAMPLE PROJECTS

