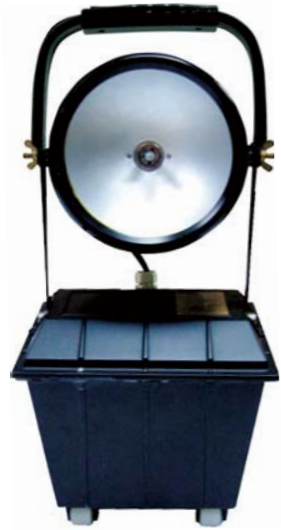


FW6100GF-J EXPLOSION-PROTECTED WORKLIGHT



- Rechargeable
- Robust light alloy enclosure
- Transparent cover: tempered glass
- Easy to carry due to two wheels and a strap
- Adjustable light head (within 60°)



TECHNICAL DATA

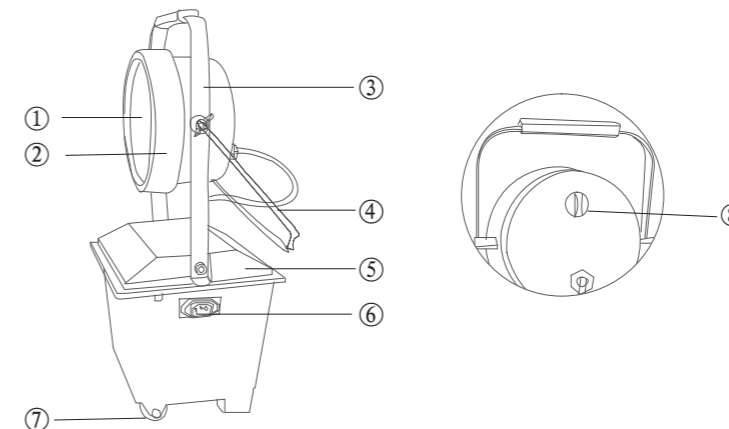
Certification	
International approvals	ATEX
Certificate	LCIE 10 ATEX 3002X
Coding	Ex II 2 G Ex de IIB T4 Gb
Conformity to standards	
	IEC60079 / IEC60598
Material	
Enclosure	Aluminum alloy
Transparent cover	Tempered glass
Lamp	
Brand	OSRAM
Wattage	35W
Type	Metal halide lamp
Life	≥10000 h
Rated voltage	
Input	100V ~ 240V AC 50Hz ~ 60Hz
Output	24 V DC
Degree of protection	IP65
Ambient temperature	-20 °C to +55 °C

TECHNICAL DATA

Battery	
Type	Lead-acid battery
Capacity	18 Ah
Life	500 cycles
Charging time	12 h (after normal discharging), ≥16 h (after completely discharging)
Duration	≥10h

DIMENSION DRAWINGS

*all dimensions in mm



1. Lamp
2. Light head
3. Handle
4. Strap
5. Battery box
6. Charging port
7. Wheel
8. Switch

