

## NFC9180 PENDANT LIGHT FITTING



- Borosilicate glass with prismatic pattern
- Easy for installation and maintenance
- Hinged front cover
- Excellent light distribution

### TECHNICAL DATA

#### Certification

International approvals CE, SASO

Conformity to standards IEC60598

#### Material

Enclosure Die-casting aluminum

Transparent cover Borosilicate glass

#### Lamp

Brand OSRAM, PHILIPS

Wattage 70W, 100W, 150W

Type Metal halide lamp, high-pressure sodium lamp

Rated voltage 220V/230V/240V AC 50Hz, 220V AC 60Hz

Class of insulation Class I

Degree of protection IP65

Ambient temperature -20 °C to +55 °C

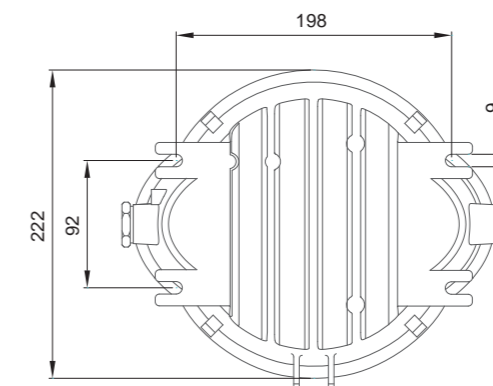
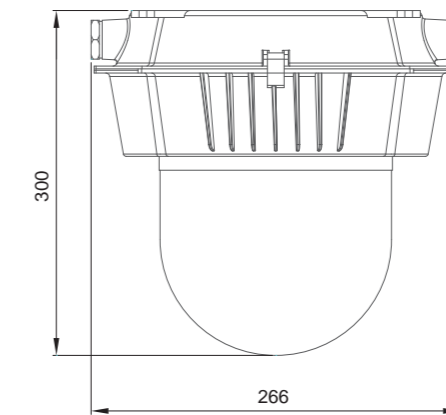
Cable entry G3/4

### SELECTION TABLE

Model	Lamp power (W)	Lamp type (W)	Operating current (A)	Color temperature (K)	Weight (kg)
NFC9180/150/MH	150	MH	1.8	4200	5.6
NFC9180/100/MH	100	MH	1.1	4000	5.6
NFC9180/70/MH	70	MH	1.0	4200	5.2
NFC9180/70/HPS	70	HPS	1.0	2000	5.2

### DIMENSION DRAWINGS

\*all dimensions in mm



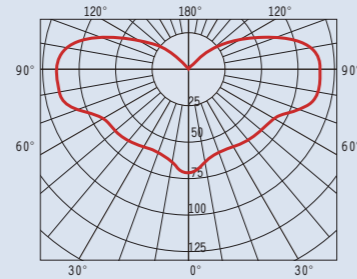
## PHOTOMETRIC DATA

NFC9180 MH 70W/100W/150W,HPS 70W photometric data

Rated luminous flux: 5500lm/9000lm/12500lm, 6000lm

The data from OSRAM and PHILIPS lamps

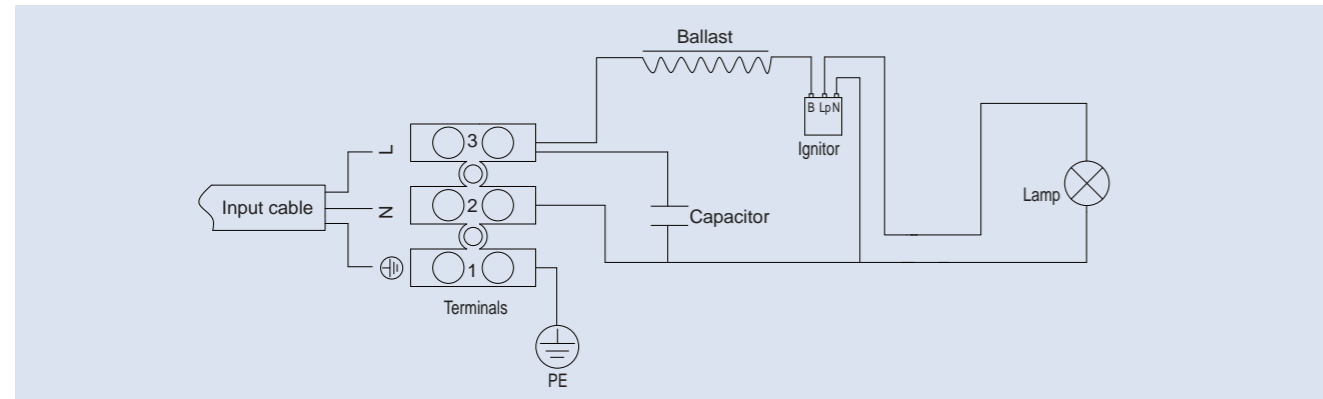
Luminous intensity distribution cd/1000lm



cd/1000lm Ratio of distance to height: 2.0

We can provide lighting design and data by professional lighting software based upon simulated site situation on request.

## WIRING DIAGRAM



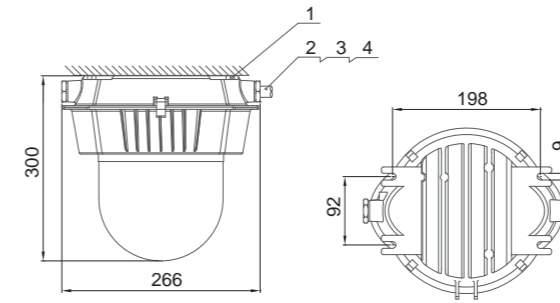
### Wiring method

- Disconnect power supply, then open light fitting.
- Strip cable jacket with appropriate length (40mm). Remove gland nut cover and rubber filling, pull the cable through the cover, rubber filling and gland nut, and fasten the cover to gland nut tightly.
- Undo screws on the wiring holder by a flat screwdriver. Connect neutral wire to No.2 hole, live wire to No. 3 hole, earthing wire to No. 1 hole, and tighten screws by the screwdriver.
- Re-install the cover and tighten it.
- Connect power supply.

## MOUNTING TYPE

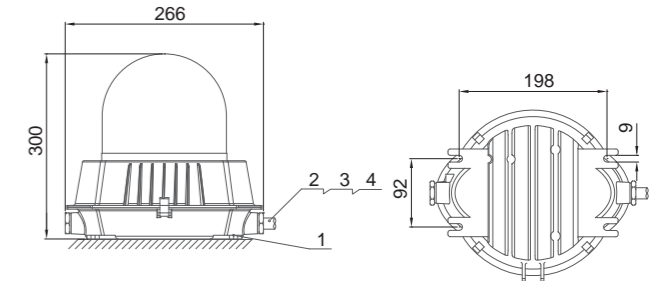
\*all dimensions in mm

### Ceiling mount



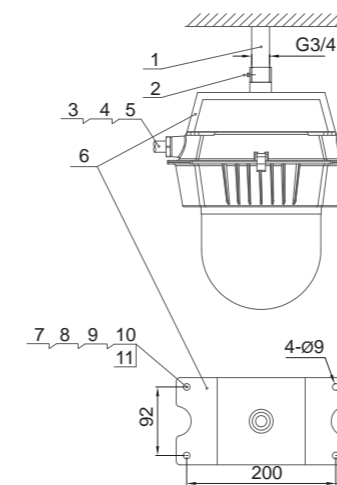
Accessories				
No.	Name	Spec.	Qty.	Remark
1	Expansion bolt	M8X60	4	Provided by user
2	Three-conductor cable	Ø8-Ø10	Determined by user	
3	Washer	10	1	Provided by manufacturer
4	Sealing ring	Ø8	1	

### Seat mount



Accessories				
No.	Name	Spec.	Qty.	Remark
1	Expansion bolt	M8X60	4	Provided by user
2	Three-conductor cable	Ø8-Ø10	Determined by user	
3	Washer	10	1	Provided by manufacturer
4	Sealing ring	Ø8	1	













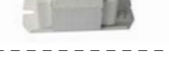

### Pendant mount



Accessories				
No.	Name	Spec.	Qty.	Remark
1	Steel pipe	G3/4	Determined by user	Provided by user
2	Slotted set screws with taper point	M4X10	1	Provided by manufacturer
3	Three conductor cable	Ø8-Ø10	Determined by user	Provided by user
4	Flat washer	10	1	Provided by manufacturer
5	Sealing ring	Ø8	1	
6	Pendant mounting assembly	/	1	
7	Hex head bolt	M8X25	4	
8	Hex nut	M8	4	
9	Flat washer	8	4	
10	Standard spring washer	8	4	
11	Rubber ring	Ø19-Ø11X5.5	2	

Note: Accessories not in the table shall be supplied by user.

## ACCESSORIES

Name	Picture	Ordering code	Weight (KG)
Ignitor		1307010018	0.163
Pendant mounting adapter		1602020207	0.450
Glass globe		1614040039	1.32
MH lamp-70W		1502010009	0.062
MH lamp-100W		1501010022	0.074
MH lamp-150W		1501010010	0.069
HPS lamp-70W		1501010011	0.079
Ballast-220V 50Hz 70W		1306010093	1.20
Ballast-220V 50Hz -100W		1306010222	1.64
Ballast-220V 50Hz -150W		1306010165	1.89
Ballast-220V 60Hz 70W		1306010120	1.12
Ballast-220V 60Hz -100W		1306010223	1.32
Ballast-220V 60Hz -150W		1306010122	1.59
Capacitor-220V 50Hz 70W		1206010210	0.098

## ACCESSORIES

Name	Picture	Ordering code	Weight (KG)
Capacitor-220V 50Hz -100W		1206010275	0.100
Capacitor-220V 50Hz -150W		1206010262	0.096
Capacitor-220V 60Hz -70W		1206010209	0.081
Capacitor-220V 60Hz -100W		1206010210	0.098
Capacitor-220V 60Hz -150W		1206010234	0.111

## SAMPLE PROJECTS

