

NSC9700(A) FLOODLIGHT



NSC9700



NSC9700A

- High corrosion resistance
- Prismatic diffuser (NSC9700)
- Standard clear diffuser (NSC9700A)
- Integral control gear
- Easy for installation and maintenance

TECHNICAL DATA

Certification

International approvals CE, SASO

Conformity to standards IEC60598

Material

Enclosure Die-casting aluminum

Transparent cover Tempered glass

Lamp

Brand OSRAM

Wattage 250W, 400W

Type Metal halide lamp, high-pressure sodium lamp

Rated voltage 220V/230V/240V AC 50Hz, 220V AC 60Hz

Class of insulation Class I

Degree of protection IP65

Ambient temperature -20 °C to +50 °C

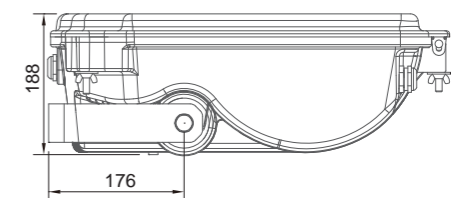
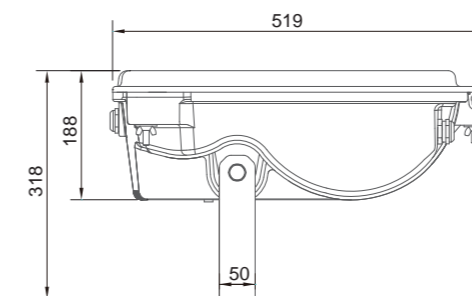
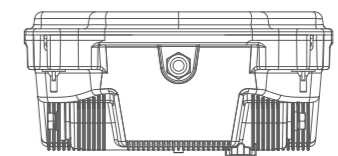
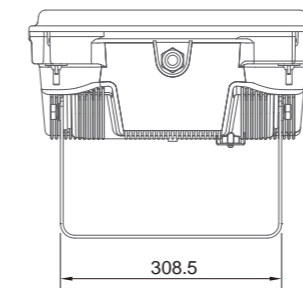
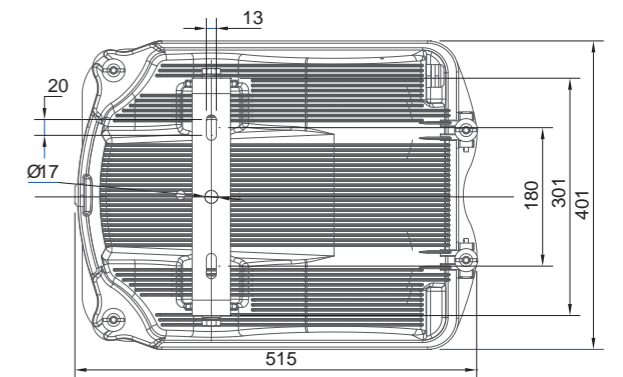
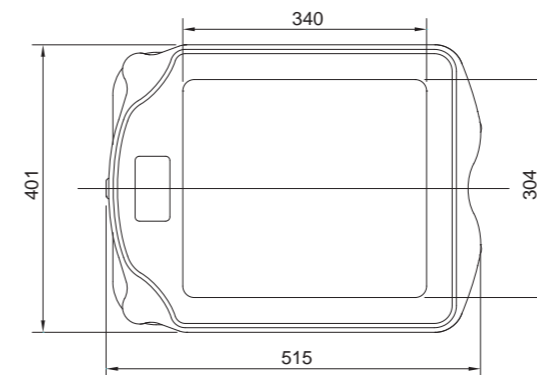
Cable entry G3/4

SELECTION TABLE

Model	Lamp power (W)	Lamp type (W)	Operating current (A)	Color temperature (K)	Weight (kg)
NSC9700	250	MH	3.0	5200	14.8
NSC9700	250	HPS	3.0	2000	14.8
NSC9700A	400	MH	4.0	5500	16.2
NSC9700	400	HPS	4.4	2000	16.2
NSC9700A	250	MH	3.0	5200	14.8
NSC9700A	250	HPS	3.0	2000	14.8
NSC9700A	400	MH	4.0	5500	16.2
NSC9700A	400	HPS	4.4	2000	16.2

DIMENSION DRAWINGS

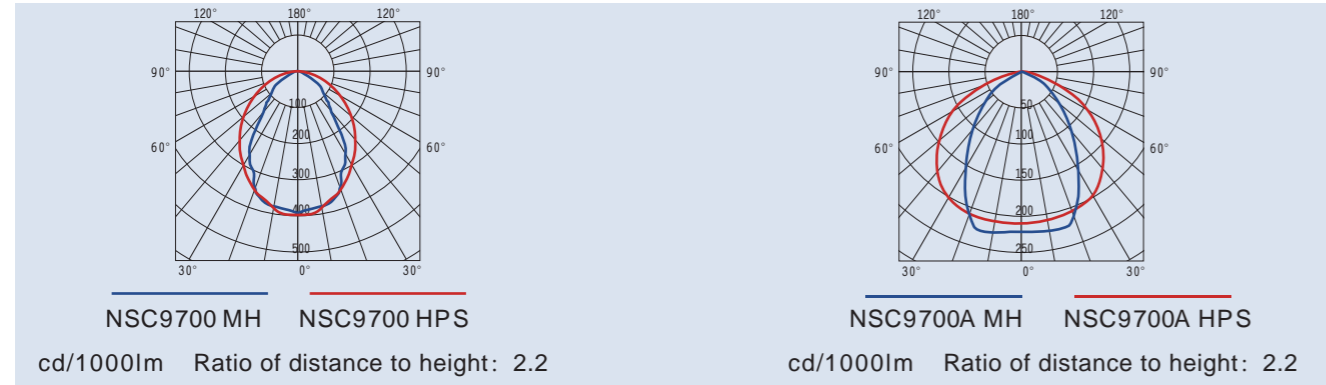
*all dimensions in mm



PHOTOMETRIC DATA

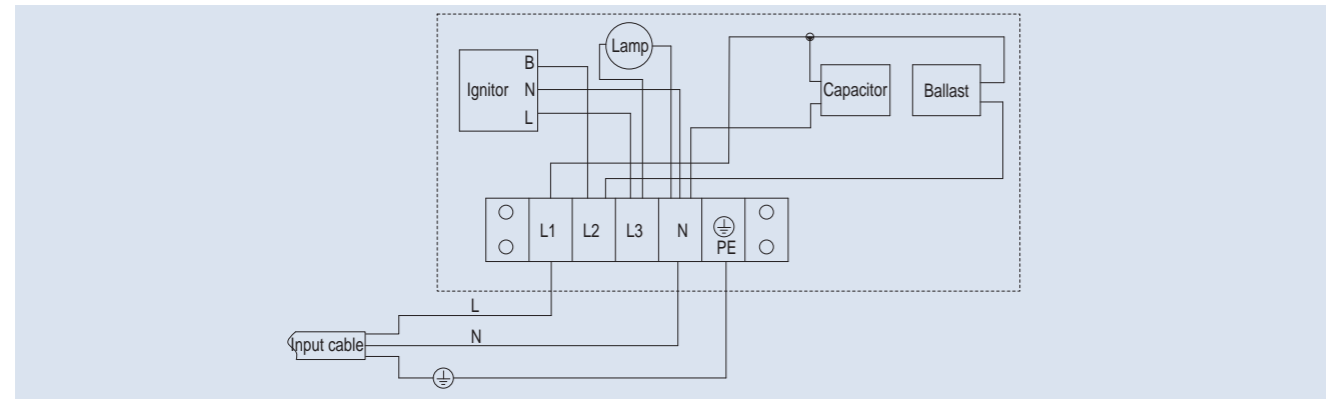
NSC9700 MH/HPS 250W/400W photometric data
 Rated luminous flux: 21000lm/36000lm, 27500lm/50000lm
 The data from OSRAM lamp
 Luminous intensity distribution cd/1000lm

NSC9700A MH/HPS 250W/400W photometric data
 Rated luminous flux: 21000lm/36000lm, 27500lm/50000lm
 The data from OSRAM lamp
 Luminous intensity distribution cd/1000lm



We can provide lighting design and data by professional lighting software based upon simulated site situation on request.

WIRING DIAGRAM



1. Instructions

- A. Three wires outside the frame are the live wire, neutral wire and earthing wire of three-conductor cable, and they should be connected on site.
- B. Heat-resistant three-conductor cable should be used due to high temperature in the chamber, such as silicon rubber insulated cable, polytetrafluoroethylene cable, etc.
- C. Wiring work in the frame is done in the factory and it may be referred during failure checking.

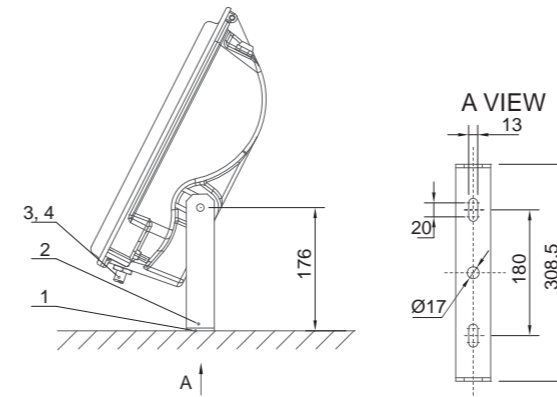
2. Wiring method

- A. Undo two wing-nuts on the light fitting and open front cover.
- B. Select an appropriate rubber filling (see figure on the filling) according to diameter of cable. Pull the cable through the accessories (gland nut, washer, rubber filling) in order.
- C. Strip the cable of appropriate length and connect the wires to correct terminals on wiring holder. (Positive and negative poles are showed on the wiring holder.)
- D. Push the rubber filling and washer into cable entry and fasten the wires with gland nut. The gland nut must be fastened by a wrench.
- E. Clip the cable in the chamber.
- F. Re-install the front cover and fasten the nuts tightly.

MOUNTING TYPE

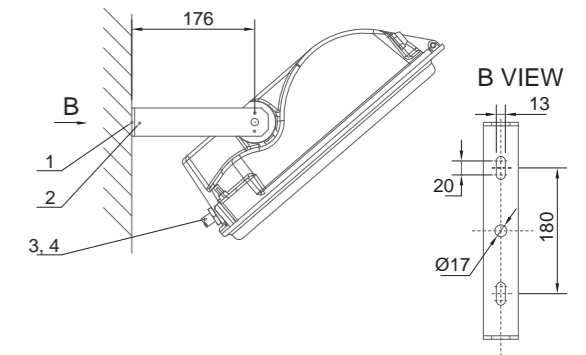
*all dimensions in mm

Seat mount



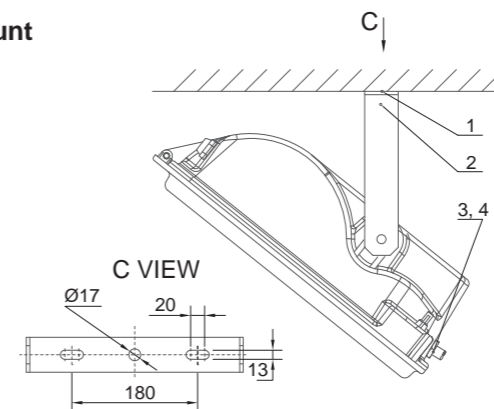
Accessories				
No.	Name	Spec.	Qty.	Remark
1	Expansion bolt (with nut, flat washer, spring washer)	M12x100	2	Provided by user
2	Expansion bolt (with nut, flat washer, spring washer)	M12x100	1	
3	Three-conductor cable	Ø8-Ø14	Determined by user	Provided by manufacturer
4	Rubber ring		3	

Wall mount



Accessories				
No.	Name	Spec.	Qty.	Remark
1	Expansion bolt (with nut, flat washer, spring washer)	M12x100	2	Provided by user
2	Expansion bolt (with nut, flat washer, spring washer)	M12x100	1	
3	Three-conductor cable	Ø8-Ø14	Determined by user	Provided by manufacturer
4	Rubber ring		3	

Ceiling mount



Accessories				
No.	Name	Spec.	Qty.	Remark
1	Expansion bolt (with nut, flat washer, spring washer)	M12x100	2	Provided by user
2	Expansion bolt (with nut, flat washer, spring washer)	M12x100	1	
3	Three-conductor cable	Ø8-Ø14	Determined by user	Provided by manufacturer
4	Rubber ring		3	

Note: Accessories not in the table shall be supplied by user.

ACCESSORIES

Name	Picture	Ordering code	Weight (KG)
Transparent ocver		1614030027	1.12
Ignitor		1307010018	0.163
Capacitor-250W		1206010236	0.114
Capacitor-400W		1206020062	0.175
Ballast-220V 50Hz 250W		1306010138	2.73
Ballast-220V 50Hz 400W		1306010140	4.25
Ballast-220V 60Hz 250W		1306010125	2.53
Ballast-220V 60Hz 400W		1306010127	3.56
MH lamp-250W		1501010024	0.144
MH lamp-400W		1501010023	0.214
HPS lamp-250W		1502010004	0.164
HPS lamp-400W		1502010003	0.185

SAMPLE PROJECTS

